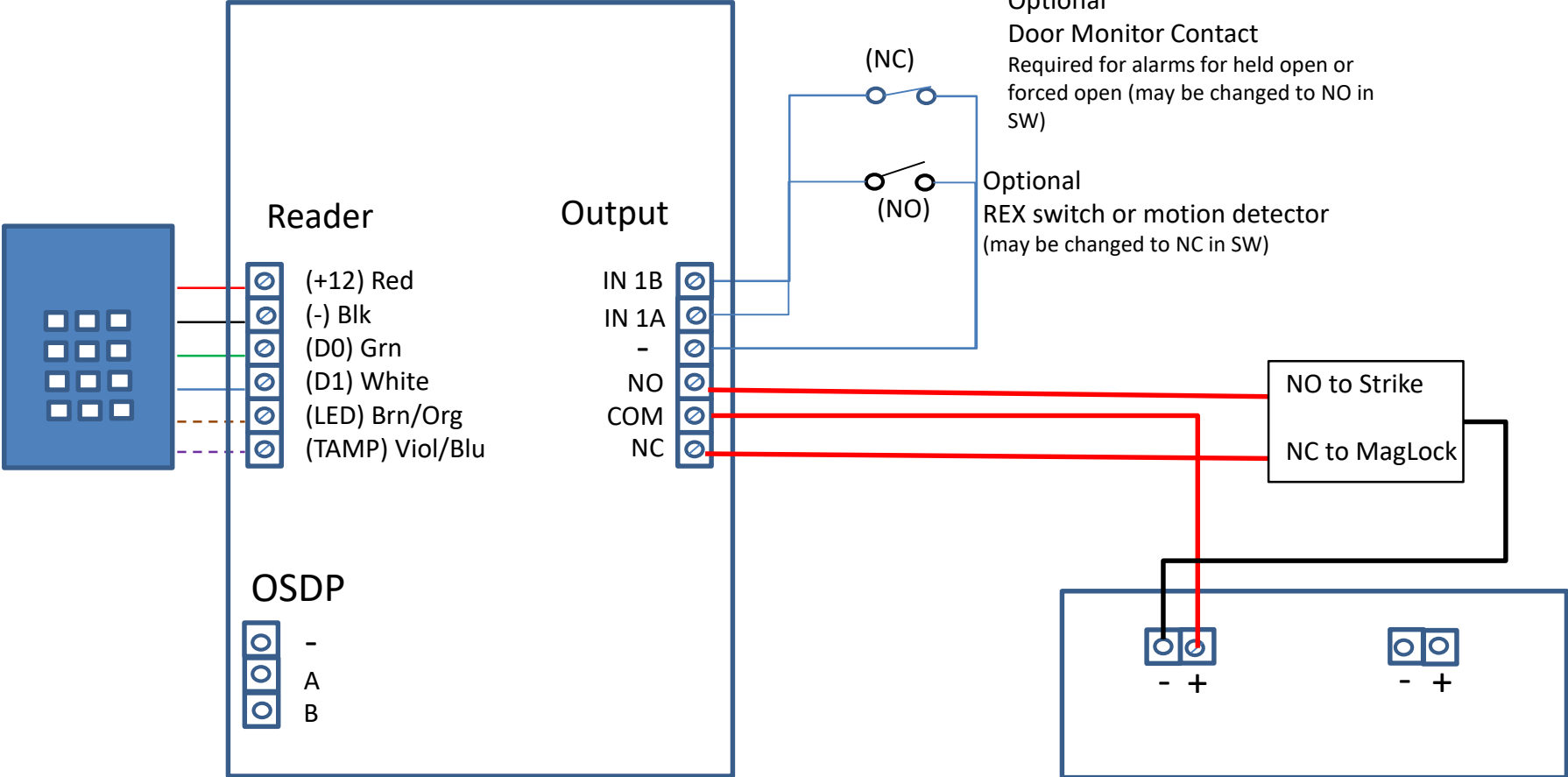


# Basic Lock/Door Wiring AC-825IP/D-805



# OSDP Expansion wiring

AC-825IP Main board

X-805 (daughter board)

(not used on DB)

OSDP  
-  
A  
B

12VDC  
+ -

RSDP  
- A B

Remove slide off cover on bottom of board to expose the connectors shown.

X-805 (first expansion board)

(Address Panel 2)

12VDC  
+ -

RSDP  
- A B

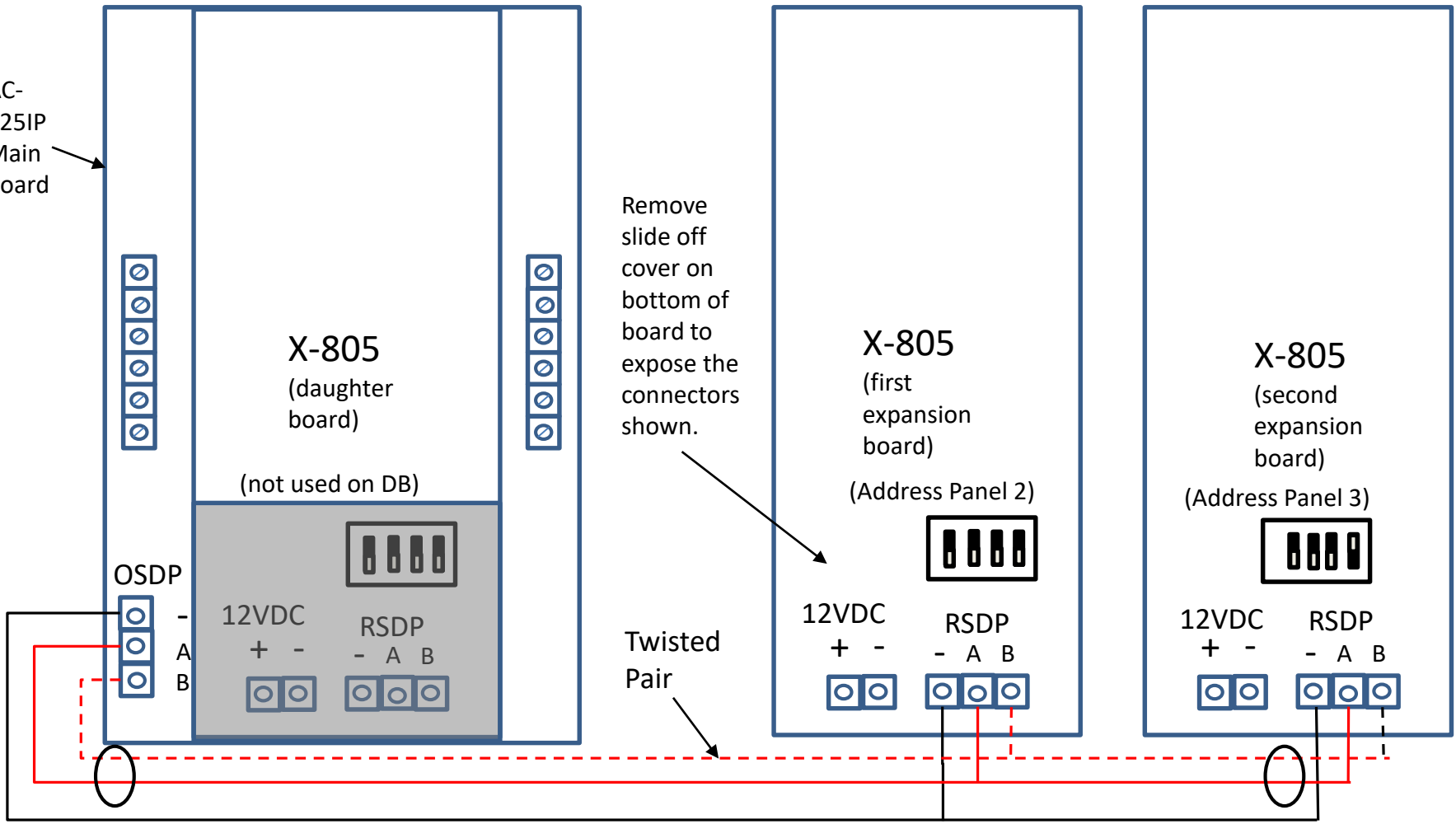
X-805 (second expansion board)

(Address Panel 3)

12VDC  
+ -

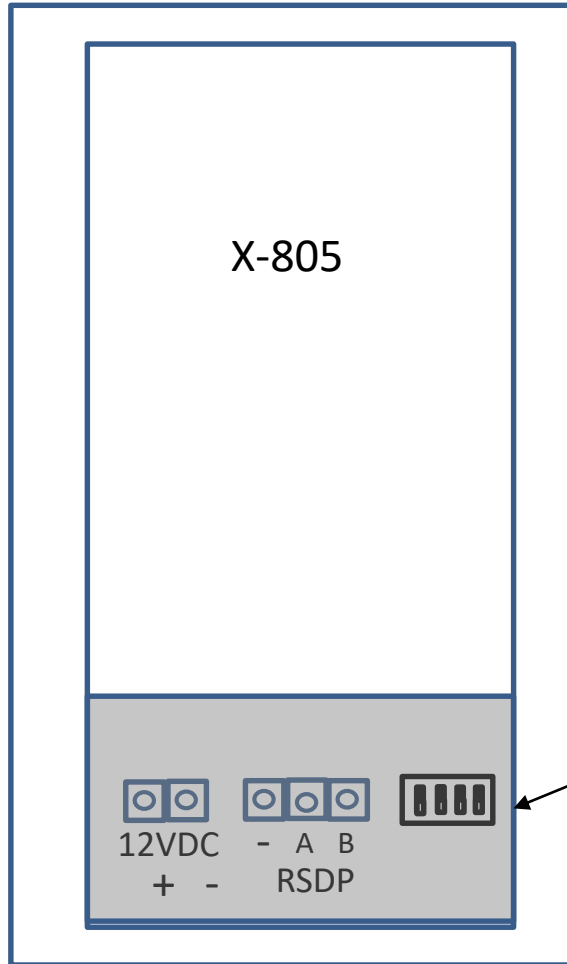
RSDP  
- A B

Twisted Pair

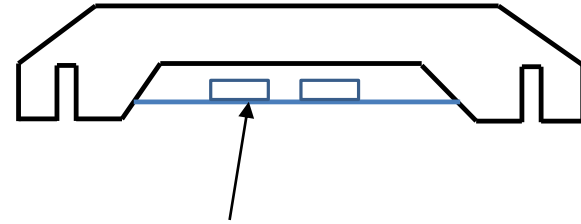


Remove slide off cover on bottom of board to expose the connectors when installing in an expansion chassis ME-1505.

There is only one power cable (+12VDC) supplied in the ME-1505, if 2 X-805 expansions are installed the installer must make a cable to connect power from the power supply module to the second board.



Top View



Connectors for LED light strip/tamper switch and power supply monitor connectors in ME-1505 only. Both cables must be connected to the same expansion board, it does not matter which connector the cables are connected to (left or right).

Slide off cover

# OSDP Address Settings

1. Boards installed as a daughterboard on the AC-825 do not have an address, the address only applies to boards connected on the OSDP bus external to the main AC-825IP chassis such as in the ME-1505.
2. The AC-825IP will be panel 1.
3. After the dip switches are set make sure you power cycle the X-805 boards if they are already powered up.
4. After the boards are properly addresses power cycle (remove AC power and backup battery if attached for 15 seconds) the AC-825IP board before trying to add the expansion boards.

X-805 Address Switch settings				
address	sw1	sw2	sw3	sw4
2	0	0	0	0
3	0	0	0	1
4	0	0	1	0
5	0	0	1	1
6	0	1	0	0
7	0	1	0	1
8	0	1	1	0
9	0	1	1	1
10	1	0	0	0
11	1	0	0	1
12	1	0	1	0
13	1	0	1	1
14	1	1	0	0
15	1	1	0	1
16	1	1	1	0
0 = off (down), 1 = on (up)				