

Quick Guide Compatibility

This quick guide is compatible with all AC 2-output standalone controllers and AYC convertible products in Controller mode.

This is meant to be a quick guide to some of the common settings. For detailed installation and programming instructions, please refer to each controller's Installation and Programming Manual.

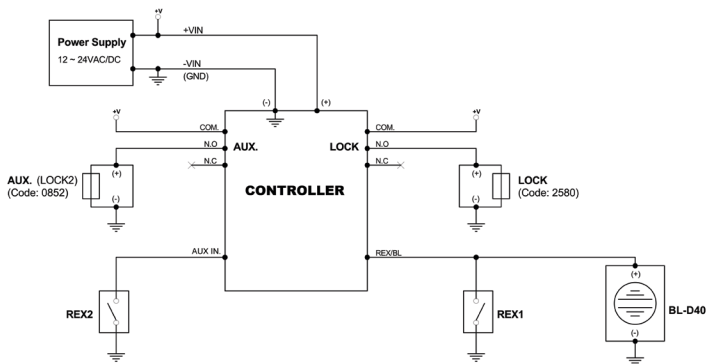
Controller Specifications

VIN	12–24 VAC/VDC
GND	-VIN
Input-1	REX

Input-2	Aux Input
Output-1	Relay 2A Form-C
Output-2	Relay 2A Form-C

Wiring Diagram

The following diagram shows typical wiring of a 2-door system to a power supply. For optimum performance, a Rosslare power supply is recommended.



Quick Guide

AC and AYC 2-Output Controllers

Programming Menu

Menu No.	Menu Description	Default Values			
		4 Digits	5 Digits	6 Digits	4-8 Digits
1	Change Lock Test Code	2580	25802	258025	25802580
2	Change Auxiliary Test Code	0852	08520	085208	08520852
3	Change Programming Code	1234	12341	123412	12341234
4	Change Normal/Secure Code	3838	38383	383838	38383838
5	Change Normal/Bypass Code	-			
6	Change Door Activation Time	0004			
6	Define Auxiliary Mode and Settings	2004			
6	Enable or disable keypad heater	3000			
6	Set Lockout Feature	4000			
6	Backlight and LED Behavior	5100			
0	Return to factory defaults/Change PIN code Length	00 1234 (4-digit codes)			



The default Lock and Auxiliary test codes are disabled once you add the first user code.

Operational Modes

Normal Mode

A valid user code can activate the Lock Output

A valid user code can activate the Auxiliary Output

Mode  Door
Green

Secure Mode

A Master user code can activate the Lock Output

A valid user with two codes can activate the Lock Output

A valid user with two codes can activate the Auxiliary Output

Mode  Door
Red

Bypass Mode

The * key can activate the Lock Output

A valid user code can activate the Lock Output

A valid user code can activate the Auxiliary Output

Mode  Door
Orange

Quick Guide

AC and AYC 2-Output Controllers

Programming Mode

Enter Programming mode ## 1234 (default programming code is 1234)

Menu 0 – Resets to factory default settings and sets the default code length

Key entry	Result
## 1234-00-1234	Resets to factory defaults with 4-digit code length
## 1234-05-1234	Resets to factory defaults with 5-digit code length
## 1234-06-1234	Resets to factory defaults with 6-digit code length
## 1234-08-1234	Resets to factory defaults with 4- to 8-digit code length

Menu 1 – Changes the Lock Output Test Code

Key Entry	Result
## 1234-1-9360	Sets the Lock Output Test code to 9360

Menu 2 – Changes the Auxiliary Output Test Code

Key Entry	Result
## 1234-2-7481	Sets the Auxiliary Output Test code to 7481

Menu 3 – Changes the Programming Code

Key Entry	Result
## 1234-3-3748	Sets the Programming code to 3748

Menu 4 – Changes the Normal/Secure Code

Key Entry	Result
## 1234-4-4856	Sets the Normal/Secure code to 4856
## 1234-4-0000	Disables Secure mode

Menu 5 – Changes the Normal/Bypass Code

Key Entry	Result
## 1234-5-6754	Sets Bypass code to 6754 with BL-D40 door chime enabled (last digit greater than zero)
## 1234-5-6750	Sets the Bypass code to 6750 with BL-D40 door chime disabled (last digit equal to zero)
## 1234-5-0001	Disables Bypass mode with BL-D40 door chime enabled
## 1234-5-0000	Disables Bypass mode and door chime

Quick Guide

AC and AYC 2-Output Controllers

Menu 6 – Sets the Lock, Auxiliary Mode, Heater, LED, and Backlight Behavior

Key Entry	Result
## 1234-6-0015	Sets Lock Open Time to 15 seconds with relay set to fail secure (1 st digit) and siren disabled (2 nd digit)
## 1234-6-1215	Sets Lock Open Time to 15 seconds with relay set to fail safe (1 st digit) and siren for 2 min (2 nd digit)
## 1234-6-2015	Sets Auxiliary Open Time to 15 seconds (last two digits)
## 1234-6-3001	Sets Heater option (3000 disable heater, 3001 enable heater)
## 1234-6-4512	Sets Keypad Lockout option (5 errors and 120 seconds lockout)
## 1234-6-5300	Sets Mode LED and Keypad Backlight options: ●5000 – LED On / Backlight Off ●5100 – LED On / Backlight On ●5200 – LED Off / Backlight Off – both On for 10 seconds on key press ●5300 – LED Off / Backlight dimmed – both On for 10 seconds on key press

Menu 7 – Adds User Codes

Key entry	Result
## 1234-7-005-3456 ##	Adds single user, sets code 3456 to user number 005
## 1234-7-039-5678-458-6789 ##	Adds non-sequential users, sets code 5678 to user number 039, and then sets code number 6789 to user number 458
## 1234-7-275-3636#3344	Adds sequential users, sets code 3636 to user number 275, and then sets code number 3344 to user number 276
## 1234-7-000-5656-6754 ##	Adds secondary code 6754 to user with primary code 5656

Menu 8 – Deletes User Codes

Key entry	Result
## 1234-8-005-1234	Deletes user number 005
## 1234-8-000-3456-1234	Deletes user with code 3456

Menu 9 – Assigns Output Function to a User Code

Key entry	Result
## 1234-9-005-1 ##	Assigns User 005 to activate Lock Output
## 1234-9-005-2 ##	Assigns User 005 to activate Auxiliary Output
## 1234-9-005-3 ##	Assigns User 005 to activate Lock and Auxiliary Output
## 1234-9-000-4589-2	Assigns the user with code 4589 to activate Auxiliary Output

